



## FILTER REGULATORS

MODEL NO: CAT155 & CAT156

PART NO: 3120169 & 3120170

## FITTING & MAINTENANCE INSTRUCTIONS

ORIGINAL INSTRUCTIONS

GC0117



---

## INTRODUCTION

---

Thank you for purchasing this CLARKE Filter/Regulator. This filter/regulator unit is designed to remove up to 95% of foreign matter from the airline and to set the delivery pressure accurately using the gauge.

Before attempting to use this product, please read this manual thoroughly and follow the instructions carefully. In doing so you will ensure the safety of yourself and that of others around you, and you can look forward to your purchase giving you long and satisfactory service.

Your Filter/Regulator has been designed to give long and trouble free service. If, however, having followed the instructions in this booklet carefully, you encounter problems, take the unit to your local CLARKE dealer.

## SPECIFICATION

Model Number	CAT155	CAT156
Max Supply Pressure	170 psi (12 bar)	
Max Outlet Pressure	143 psi (10 Bar)	
Air throughput	40 cfm (1140L / min) at max @90psi	
Air Inlet/Outlet Size	3/8" BSP male inlet with 1/4" converter attached /1/4" BSP male outlets	3/8" BSP male inlet 1/4" BSP male outlets
Dimensions (D x W x H)	73 x 100 x 177 mm	73 x 100 x 165 mm
Pressure Gauge Range	0-230 psi/0-16 bar	

## GUARANTEE

This product is guaranteed against faulty manufacture for a period of 12 months from the date of purchase. Please keep your receipt which will be required as proof of purchase.

This guarantee is invalid if the product is found to have been abused or tampered with in any way, or not used for its intended purpose.

Faulty goods should be returned to their place of purchase, no product can be returned to us without prior permission. This guarantee does not effect your statutory rights.



---

# GENERAL SAFETY RULES

---



CAUTION: FAILURE TO FOLLOW THESE PRECAUTIONS COULD RESULT IN PERSONAL INJURY, AND/OR DAMAGE TO PROPERTY.

---

## WORK ENVIRONMENT

1. Keep the work area clean and tidy.
2. Dress appropriately - do not wear loose clothing or jewellery. Tie long hair out of the way.
3. Keep children and visitors away - do not let children handle the tools.
4. Do not operate air tools where there are flammable liquids or gases.

## USE OF AIRLINE EQUIPMENT

1. Stay alert and use common sense - do not operate an air tool when you are tired or under the influence of alcohol, drugs or medication.
2. Do not overreach - Keep proper footing and balance at all times.
3. Never use oxygen, CO<sub>2</sub>, combustible gasses or any type of bottled gas as a source of power for air tools.
4. Do not exceed the maximum pressure for the airline component stated in the specification.
5. Check airline hoses for leaks or worn condition before use and ensure that all connections are secure.
6. Keep the air supply hose away from heat, oil and sharp edges.
7. Avoid damaging the component for example by applying excessive force of any kind.
8. Always maintain the air tool with care. Keep it clean for the best and safest performance.



# TYPICAL AIRLINE REQUIREMENTS



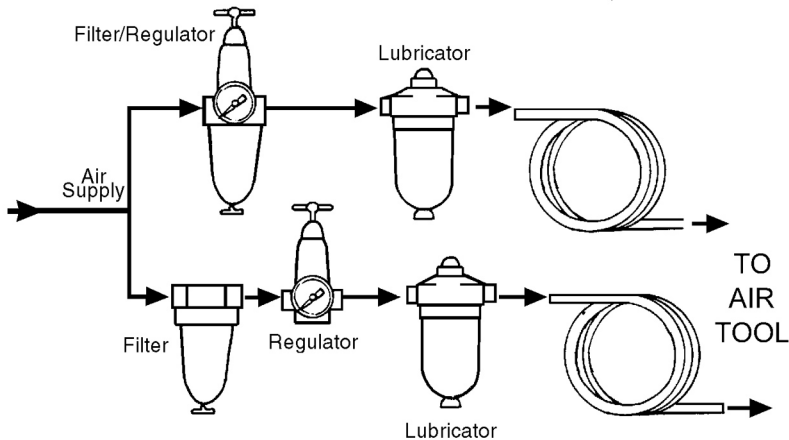
**WARNING: COMPRESSED AIR CAN BE DANGEROUS. ENSURE THAT YOU ARE FAMILIAR WITH ALL PRECAUTIONS RELATING TO THE USE OF COMPRESSORS AND COMPRESSED AIR SUPPLY.**

Use only clean, dry, regulated compressed air as a power source.

Air compressors must comply with the appropriate European Community Safety Directives.

A build-up of moisture in the air compressor will accelerate wear and corrosion in the air tool. Ensure any moisture is drained from the compressor daily and the airline filter is kept clean.

If an unusually long air hose is required, (over 8 metres), the line pressure or the hose inside diameter may need to be increased. The air hose must be rated at least 150% of the maximum operating pressure of the air tool.



A typical air line layout is shown above. The use of an automatic in-line filter and regulator will keep air tools in good condition. Air compressors must comply with the appropriate European Community Safety Directives. Only clean, dry, regulated compressed air should be used.

Never exceed the maximum operating pressure for the airline components. Higher pressures and dirty air will shorten the life of your air tools due to faster wear. The air hose must be rated to at least 150% of the maximum operating pressure of the air tool.

**IMPORTANT! Any airline lubricator required for motorised air tools must be fitted downstream of the filter/regulator**



---

# INSTALLATION

---



**WARNING: COMPRESSED AIR CAN BE DANGEROUS. ENSURE THAT YOU ARE FAMILIAR WITH ALL PRECAUTIONS RELATING TO THE USE OF AIR COMPRESSORS AND COMPRESSED AIR SYSTEMS.**

---

## MOUNTING THE UNIT

This filter/regulator is supplied with a bracket for mounting it to a wall or any suitable framework. It should ideally be connected to a fixed airline or be mounted on the outlet of the compressor.

Ensure sufficient free space above the regulator for future adjustments.

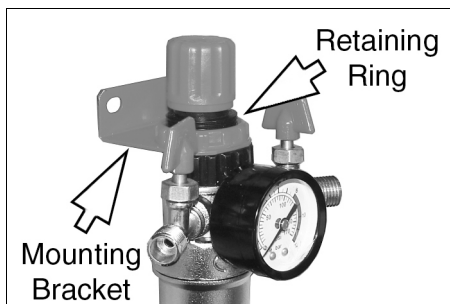
Take care not to overtighten when connecting the airline unions.

Make sure that the compressed air is not contaminated with solvents to such an extent as to cause damage to internal components.

Ensure the compressor is turned off when making connections.

After connection, turn on the air supply and check for air leaks. Rectify any found before starting work.

- PTFE tape may be useful for sealing threaded connections.



## SETTING

The adjustment knob is of the locking type.

Adjust the delivery air pressure as required, by pulling the regulator cap upwards and then twisting clockwise to increase or anti-clockwise to reduce the outlet pressure as displayed on the gauge. When the pressure is correct, press the cap back to lock and retain the setting.

- Turning the adjustment knob clockwise increases the pressure as displayed by the gauge. Turning counter clockwise will reduce the pressure.
- **+ and - are marked on the knob.**



---

## CARE AND MAINTENANCE

---

A build-up of moisture in the air compressor will accelerate wear and corrosion in airline tools. Ensure any moisture is drained from the compressor routinely and that the inlet filter is kept clean.

With use the filter will become sufficiently blocked that the air throughput can become severely diminished. It should be removed and cleaned as follows:

1. Shut off the air compressor and vent any remaining air from the airline.
2. Unscrew the lower body (16) from the middle body (9) using a 20 mm spanner, and remove the filter (13). If this is found to be tight, remove the filter/regulator from the installation & grip the regulator body securely in a vice.
3. Gently clean the filter and body using dishwashing liquid and allow to dry.
4. Re-install the filter in the body and reassemble, taking care not to overtighten. The seat should only be tightened until the sealing rings (15) are compressed and an airtight seal is achieved.

***IMPORTANT: Over tightening will permanently damage the sealing rings.***

5. Finally, re-install the unit into the airline.

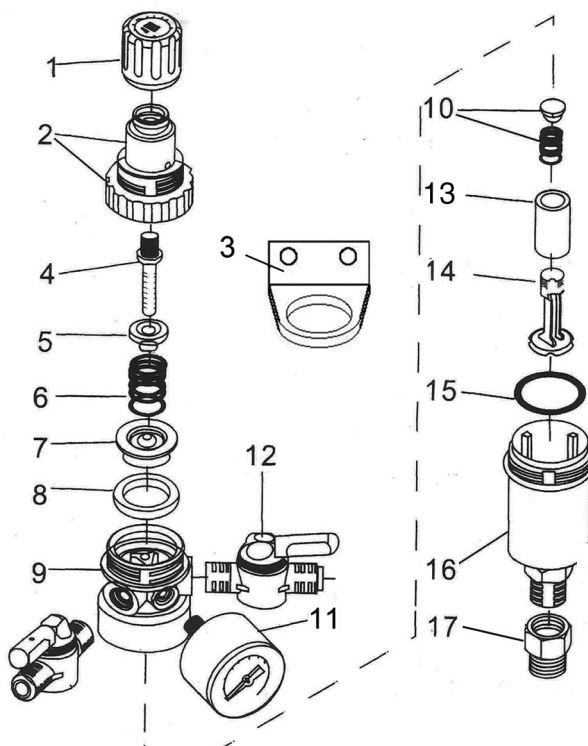
## ACCESSORIES

A wide range of accessories is available including filter/regulators, lubricators, high-pressure hoses (5 to 50 metres) etc.

Contact your CLARKE dealer for further information or CLARKE International Service Department.



## COMPONENT PARTS



No	Description
1	Adjusting Knob
2	Upper body
3	Mounting Bracket
4	Regulator Screw
5	Spring cap
6	Spring
7	Air Piston
8	Gasket
9	Middle Body

No	Description
10	Spring & Spring Cap
11	Pressure Gauge
12	Valve Assembly
13	Filter
14	Filter Holder
15	Gasket
16	Lower Body
17	Reducing Connector (CAT155)



# A SELECTION FROM THE VAST RANGE OF

# Clarke®

## QUALITY PRODUCTS

### AIR COMPRESSORS

From DIY to industrial, Plus air tools, spray guns and accessories.

### GENERATORS

Prime duty or emergency standby for business, home and leisure.

### POWER WASHERS

Hot and cold, electric and engine driven - we have what you need

### WELDERS

Mig, Arc, Tig and Spot. From DIY to auto/industrial.

### METALWORKING

Drills, grinders and saws for DIY and professional use.

### WOODWORKING

Saws, sanders, lathes, mortisers and dust extraction.

### HYDRAULICS

Cranes, body repair kits, transmission jacks for all types of workshop use.

### WATER PUMPS

Submersible, electric and engine driven for DIY, agriculture and industry.

### POWERTOOLS

Angle grinders, cordless drill sets, saws and sanders.

### STARTERS/CHARGERS

All sizes for car and commercial use.



**PARTS & SERVICE: 0208 988 7400**

**E-mail: [Parts@clarkeinternational.com](mailto:Parts@clarkeinternational.com) or [Service@clarkeinternational.com](mailto:Service@clarkeinternational.com)**

**SALES: UK 01992 565333 or Export 00 44 (0)1992 565335**

**Clarke®** INTERNATIONAL Hemnall Street, Epping, Essex CM16 4LG  
[www.clarkeinternational.com](http://www.clarkeinternational.com)